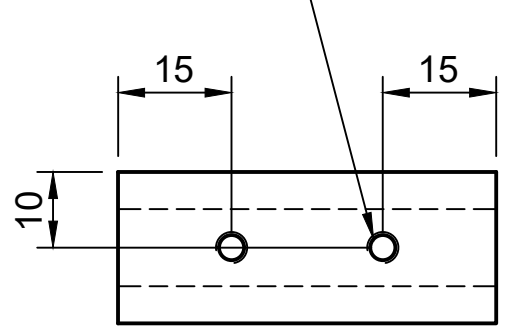


名称: Jig1_Base
 材質: アルミニウム
 数量: 1
 単位: mm

2x M4タップ穴 深さ5



Dept.	Technical reference	Created by Masaya Ono 2022/08/20	Approved by	
		Document type	Document status	
		Title Jig1_Base	DWG No.	
		Rev.	Date of issue	Sheet 1/1