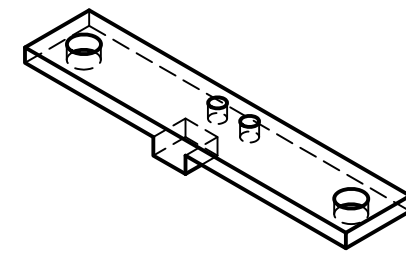
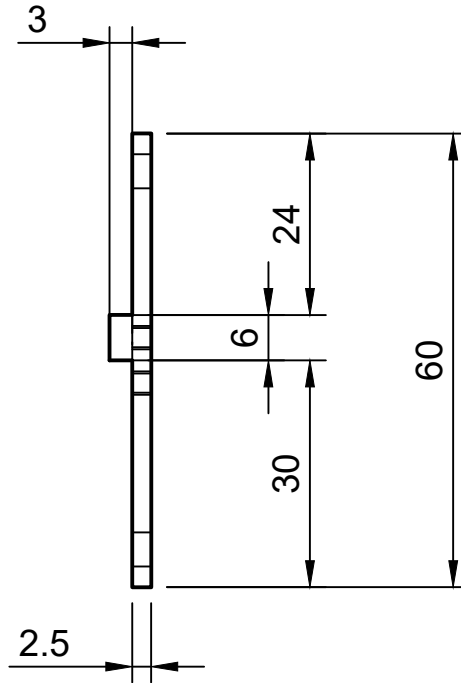
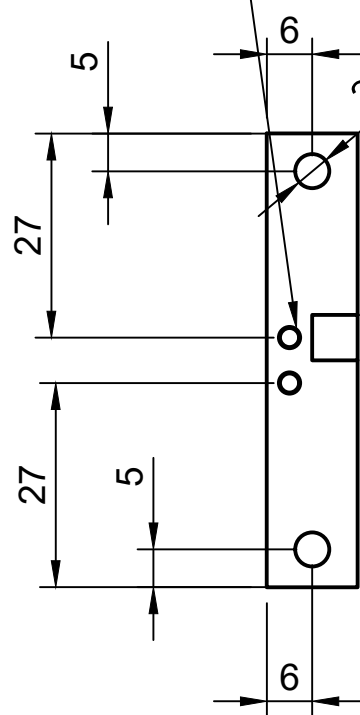
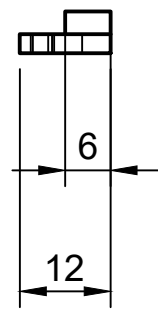


2x M3タップ穴 貫通

2x Ø4.5 貫通



名称: Jig1\_Guide  
 材質: 非着磁性ステンレス  
 数量: 2  
 単位: mm



Dept.	Technical reference	Created by Masaya Ono 2022/08/20	Approved by	
		Document type	Document status	
		Title Jig1_Guide	DWG No.	
		Rev.	Date of issue	Sheet 1/1