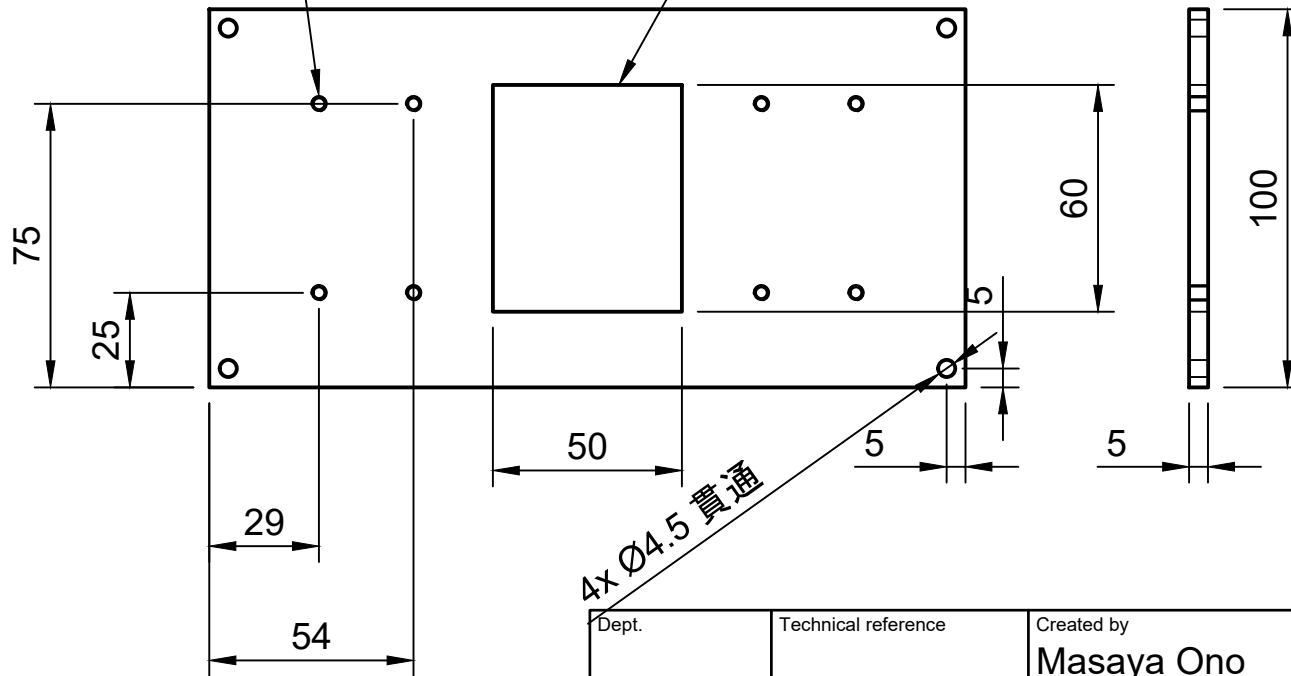


8x M4タップ穴 貫通

R加工可



名称: Jig1_Stage_Plate
 材質: アルミニウム
 数量: 1
 単位: mm

Dept.	Technical reference	Created by Masaya Ono 2022/08/20	Approved by	
		Document type	Document status	
		Title Jig1_Stage_Plate	DWG No.	
		Rev.	Date of issue	Sheet 1/1