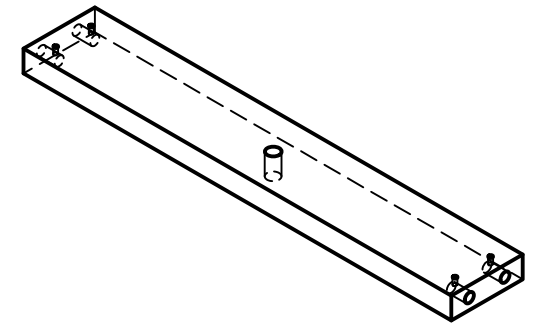
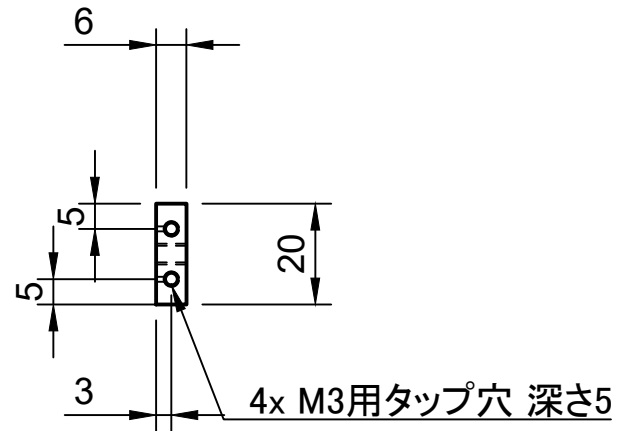


1x M4用タップ穴 貫通

4x Ø1 空気を通す穴



名称: Safety\_for\_Testmass4  
 材質: アルミニウム  
 数量: 2  
 単位: mm

Dept.	Technical reference	Created by Masaya Ono 2022/08/28	Approved by	
		Document type	Document status	
		Title Safety_for_Testmass4	DWG No.	
		Rev.	Date of issue	Sheet 1/1