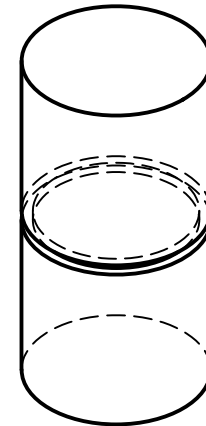
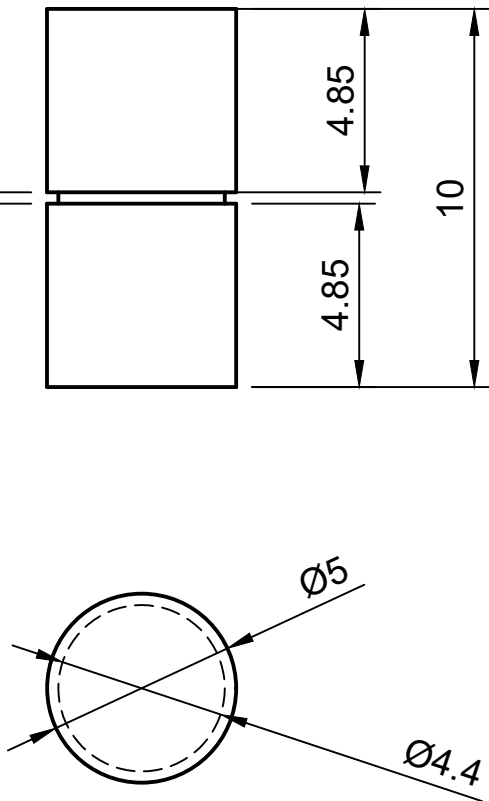


幅0.3 深さ0.3の溝



名称: Testmass2\_ear  
材質: 銅  
数量: 4  
単位: mm

Dept.	Technical reference	Created by Masaya Ono 2022/08/15	Approved by	
		Document type	Document status	
		Title Testmass2_ear	DWG No.	
		Rev.	Date of issue	Sheet 1/1