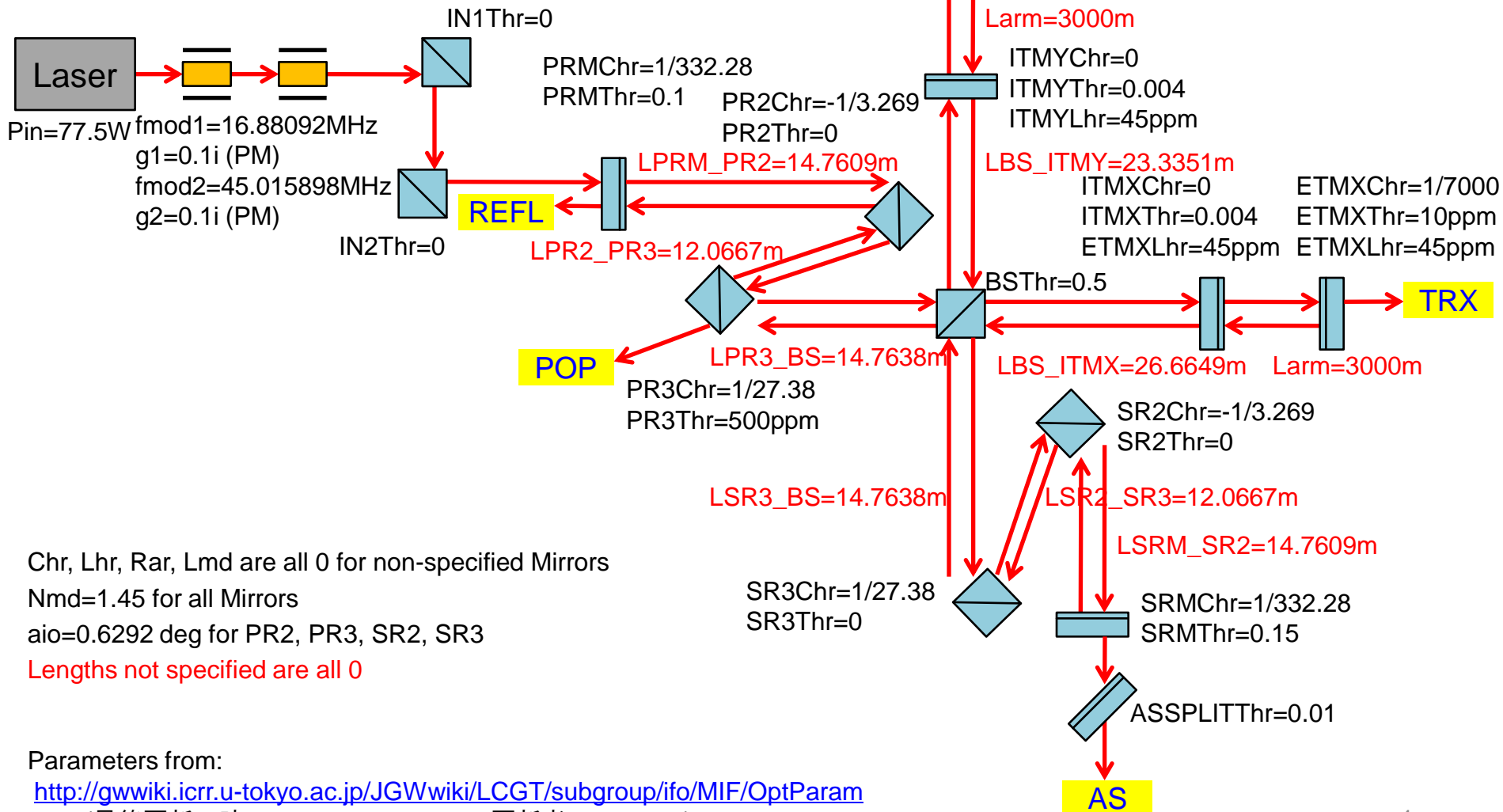


Optickle Model of bLCGT ASC



Chr, Lhr, Rar, Lmd are all 0 for non-specified Mirrors

Nmd=1.45 for all Mirrors

aio=0.6292 deg for PR2, PR3, SR2, SR3

Lengths not specified are all 0

Parameters from:

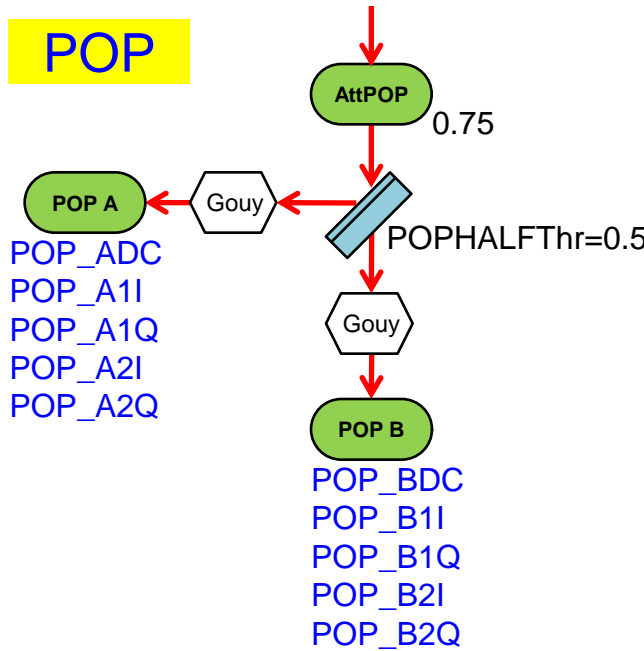
<http://gwwiki.icrr.u-tokyo.ac.jp/JGWwiki/LCGT/subgroup/ifo/MIF/OptParam>

(最終更新日時 2011-04-19 17:43:58 更新者 YoichiAso)

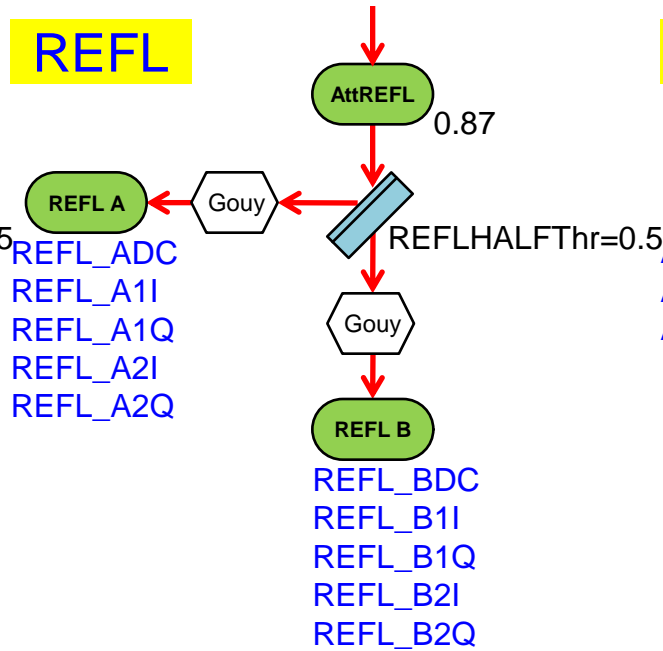
http://gwwiki.icrr.u-tokyo.ac.jp/JGWwiki/LCGT/subgroup/OCG/parametermeeting?action=AttachFile&do=view&target=interface_parameter_%28selected%29.pdf

Sensing Ports

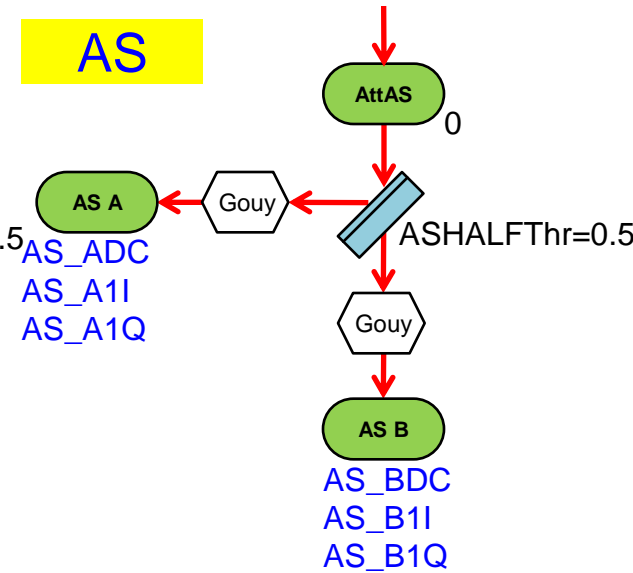
POP



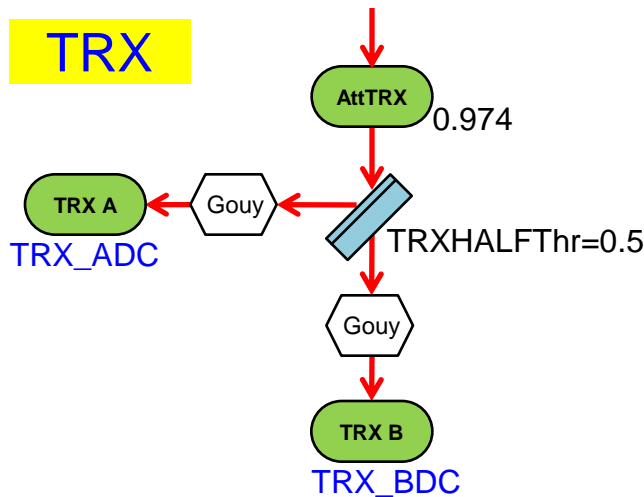
REFL



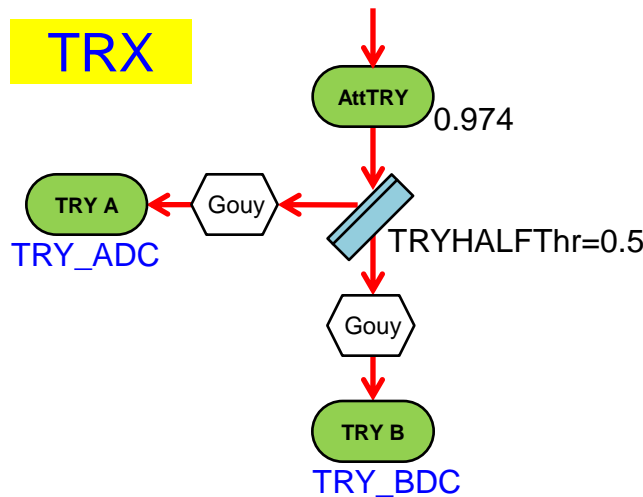
AS



TRX



TRX



Optickle

